

## TRADITIONAL FASCIA WITH INVERTED LETTERS

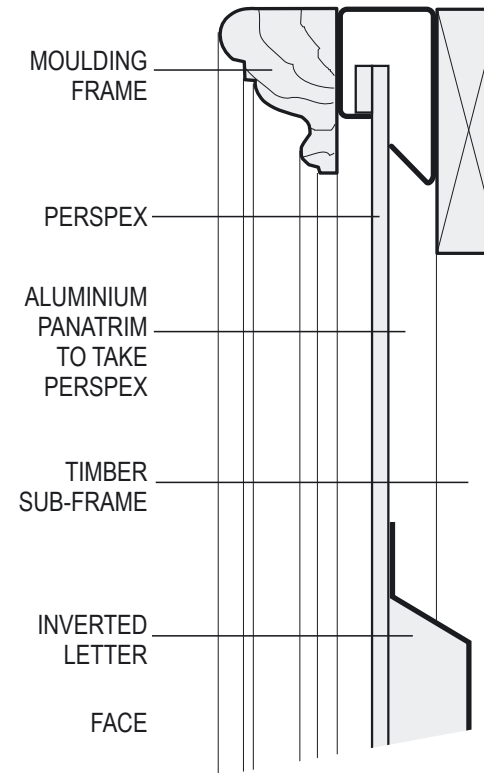


Clear perspex background reverse screenprinted black with gold coachlines & filigrees.

Letter profile masked out prior to screen printing leaving clear area for positioning to back of panel of inverted moulded 3D letters finished gold.

Stained moulding frame.

Stained fascia box with overall thickness of approx 75mm.



SECTION DETAIL